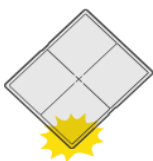


# VIVIX-S 2530V

Wireless Portable Flat Panel Detector for Digital Radiography

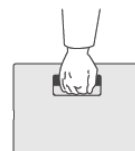


Excellent  
Durability



inside AP™

Faster and More  
Stable Wireless  
Communication



Real  
Mobility

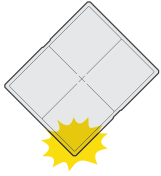


anytime™

Stable and reliable AED  
(Automatic Exposure  
Detection)

# VIVIX-S 2530V

Wireless Portable Flat Panel Detector for Digital Radiography



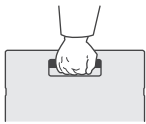
## Supreme Durability

VIVIX-S V series passes drop testing of 100cm and guarantees up to 300 kg under uniform load and 150 kg under the local load.



## IP67 Water and Dust Resistance

IP67 means that the series can operate safely in the water for up to 30 minutes at depths of less than 1 meter.



## Greater Portability

VIVIX-S V is the lightest weight series with an ergonomic designed and improved grips.



## Wider Operating Temperature

VIVIX-S V series operates from 0°C to 40°C, so it is suitable for outdoor or emergency usage.



## Convenient Charging

VIVIX-S V series offers a variety of charging methods, including standard USB-C and magnetic tether connectors and provides a cradle for safe-storing and easy-charging.



## Long Lasting Battery

VIVIX-S V series (3643V and 4343V) comes with two batteries, allowing up to 16 hours of long operation (2530V - comes with (1) battery). Additionally, by using an easy-charging cradle, it allows seamless operation all the time.

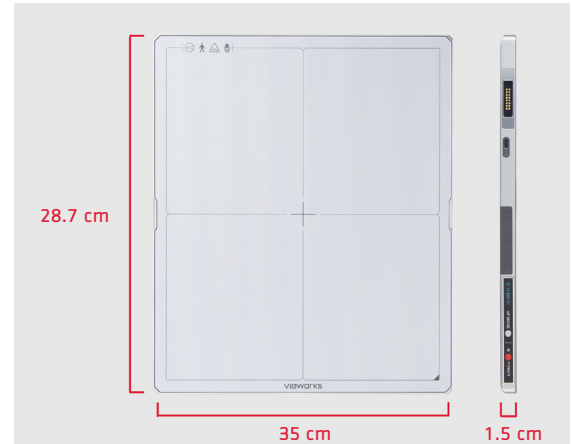
## Technical Specifications

### VIVIX-S 2530V

Model Name	FXRD-2530VAW
Technology	a-Si TFT
Scintillator	CsI
Pixel Pitch	124 $\mu$ m
Spatial Resolution	4.0 lp/mm
Pixel Matrix	2048 x 2560 pixels
Image Size (HxW)	10" x 12" (25.4 cm x 31.7 cm)
Grayscale	16 bits
Image Acquisition Time	3 s
Recommended Cycle Time	4 s
Data Interface	Gigabit Ethernet IEEE 802.11n / ac
X-ray Generator Interface	DR Trigger Mode / AED Mode
Dimensions (HxWxD)	28.7 cm x 35.0 cm x 1.5 cm
Weight	1.9 kg
Battery	Lithium Ion 3400mAh x 1 8 h (standby) * 1,500 images at a 15-second cycle.
Dust and Water Resistant	IP67
X-ray Voltage Range	40 - 150 kVp
Operating Environment	0°C to 40°C 5 % to 90 % RH (non-condensing)
Power Consumption	Normal: Max. 15W, Charging: Max. 50W

\* Specifications are subject to change without prior notice.

## Dimensions



Distributed By: