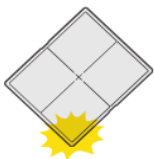
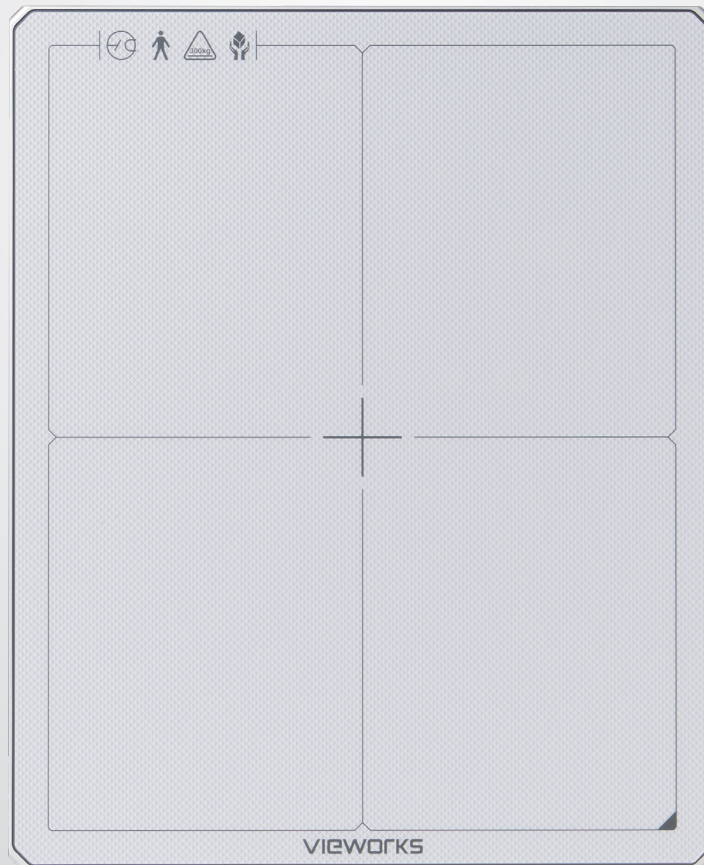


VIVIX-S 3643V

Wireless Portable Flat Panel Detector for Digital Radiography

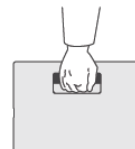


Excellent
Durability



inside AP™

Faster and More
Stable Wireless
Communication



Real
Mobility

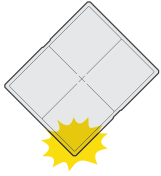


anytime™

Stable and reliable AED
(Automatic Exposure
Detection)

VIVIX-S 3643V

Wireless Portable Flat Panel Detector for Digital Radiography



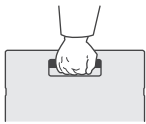
Supreme Durability

VIVIX-S V series passes drop testing of 100cm and guarantees up to 300 kg under uniform load and 150 kg under the local load.



IP67 Water and Dust Resistance

IP67 means that the series can operate safely in the water for up to 30 minutes at depths of less than 1 meter.



Greater Portability

VIVIX-S V is the lightest weight series with an ergonomic designed and improved grips.



Wider Operating Temperature

VIVIX-S V series operates from 0°C to 40°C, so it is suitable for outdoor or emergency usage.



Convenient Charging

VIVIX-S V series offers a variety of charging methods, including standard USB-C and magnetic tether connectors and provides a cradle for safe-storing and easy-charging.



Long Lasting Battery

VIVIX-S V series comes with two batteries, allowing up to 16 hours of long operation. Additionally, by using an easy-charging cradle, it allows seamless operation all the time.

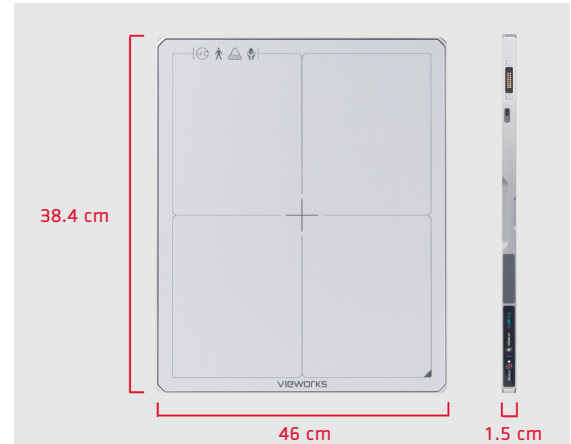
Technical Specifications

VIVIX-S 3643V

Model Name	FXRD-3643VAW
Technology	a-Si TFT
Scintillator	CsI
Pixel Pitch	140 μ m
Spatial Resolution	3.5 lp/mm
Pixel Matrix	2560 x 3072 pixels
Image Size (HxW)	14" x 17" (35.8 cm x 43 cm)
Grayscale	16 bits
Image Acquisition Time	3 s
Recommended Cycle Time	4 s
Data Interface	Gigabit Ethernet IEEE 802.11n / ac
X-ray Generator Interface	DR Trigger Mode / AED Mode
Dimensions (HxWxD)	38.4 cm x 46 cm x 1.5 cm
Weight	2.59 kg (one battery) 3.15 kg (two batteries)
Battery	Lithium Ion 3400mAh x 2 16 h (standby) * 3,000 images at a 15-second cycle.
Dust and Water Resistant	IP67
X-ray Voltage Range	40 - 150 kVp
Operating Environment	0°C to 40°C 5 % to 90 % RH (non-condensing)
Power Consumption	Normal: Max. 24W, Charging: Max. 80W

* Specifications are subject to change without prior notice.

Dimensions



Distributed By: