

# VIVIX-S 1717N

Wide and Slim Portable Flat Panel Detector for Digital Radiography



anytime™

Stable and reliable AED  
(Automatic Exposure  
Detection)



inside AP™

Fast wireless  
communication



High image quality

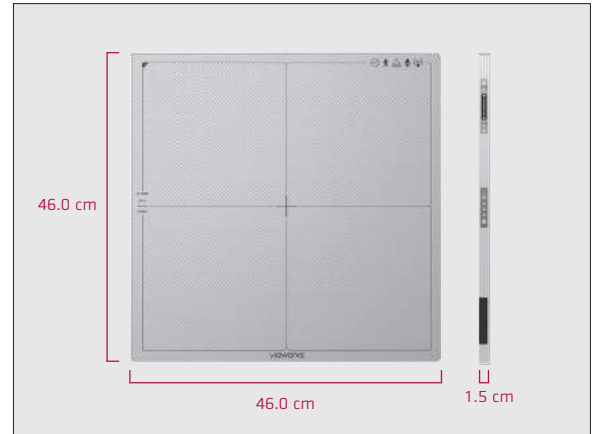


Easy installation  
(cassette tray)

## Features

- Wide active area of 17" x 17"
- High spatial resolution with 140um pixel array
- Stable and reliable automatic exposure detection (Anytime™)
- Fast wireless communication by IEEE 802.11n (Inside AP™)
- Viewer software running on Windows™ OS (VXvue™)
- Various applications such as General Radiography, Orthopedic, Veterinary, Chiropractic X-ray systems

## Drawing



## Technical Specifications

Model Name	FXRD-1717NA / FXRD-1717NB	FXRD-1717NAW / FXRD-1717NBW
Technology	a-Si TFT with photodiode	
Scintillator	CsI:TI	Gd <sub>2</sub> O <sub>2</sub> S:Tb
Pixel Pitch	140 μm	
Spatial Resolution	3.5 lp/mm	
Pixels	3072 x 3072 pixels	
Image Size	17" x 17" (43.0 cm x 43.0 cm)	
Grayscale	16 bit	
Image Acquisition Time	Wired: 1.5 s Wireless: 3 s	
Recommended Cycle Time	15 s	
Data Interface	Gigabit Ethernet IEEE 802.11n	
X-ray Generator Interface	Line trigger: DR trigger Mode Auto trigger: AED Mode	
Dimensions	46.0 cm x 46.0 cm x 1.5 cm	
Weight	4.2 kg	4.5 kg (including battery)
Battery	-	Lithium Ion 3100 mAh x 2 6 h (Capturing)
Dust and Water Resistant	IP 53	
X-ray Voltage Range	40 – 150 kVp	
Operating Environment	10°C to 35°C 30 % to 85 % RH (non-condensing)	
Power	DC 24V, 1.0A	

\* Specifications are subject to change without prior notice.

**Distributed By:**