

# Vet Ray Veterinary X-Ray Systems



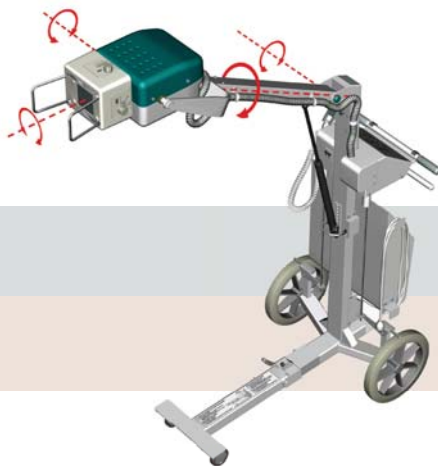
**Standard Vet**



**Portable Vet**  
(with optional table)



**Premium Vet**



**Dragon-X Vet**



**Fluoro Vet**

# Vet-Ray Technology by Sedecal

## The Ultimate in Veterinary X-Ray Technology

X-Ray systems that are designed to address a wide variety of the veterinarian's needs today

### Standard Vet

There is nothing standard about the Standard Vet. This X-Ray system comes with anatomical programming on the handlebar assembly:

- 4-way floating table or mobile table
- Full variable focal film distance tube stand
- A choice of three High Frequency Generators (16 kW, 20 kW, or 32 kW)
- Automatic exposure control (optional)
- Table top/pedestal/wall mounting console (optional)
- Reciprocating bucky (optional)



### Premium Vet

The Premium Vet raises the bar in Vet Diagnostics:

- 4-way floating table
- Full variable focal film distance tube stand
- A choice of three High Frequency Generators (16 kW, 20 kW, or 32 kW)
- Automatic exposure control
- Sliding column
- Wall cassette holder
- Table top/pedestal/wall mounting console (optional)
- Reciprocating Bucky (optional)



### Portable X-Ray

The Portable X-Ray unit easily assists the veterinarian who is on the road often. Suitable for equine or any animal that simply cannot make it to the office easily, the Portable Vet series offers complete portable X-Ray technology. There are four different generators to choose from. The Portable Vet comes with a handy carrying case to easily transport the X-Ray unit. This unit may also be used with the optional collapsible trolley to examine larger animals on the farm or as a stationary unit in a vet's office:

- Collapsible trolley (optional)
- Carrying case with wheels and telescopic handle
- Stationary anode X-Ray tube
- 19.7 ft. (6 m.) power cord
- 9.8 ft. (3 m.) exposure cord
- Line voltage is single-phase with automatic regulation



### Dragon X

Designed to carry the X-Ray unit from door to door of patient room in clinics and hospitals.

Reduced patient positioning time and efforts:

- Small in size, big in performance (4 kW).
- High frequency inverter (300 kHz).
- Automatic line voltage compensation (90 - 264 VAC).
- Automatic output power adaptation to power line conditions (line impedance).
- Shorter exposure times than conventional X-Ray units.
- Dual focal spot provides superior image quality.
- Easy to transport - friendly user.



### Fluoroscopy Vet

Combining fluoroscopy and X-Ray eliminates the space required for traditional units. Sedecal's Vet-Ray Fluoroscopy system can be retrofitted to any of the company's tabletop X-Ray units.

*Note: Specifications are subject to change without notice. Revised March 2011*