

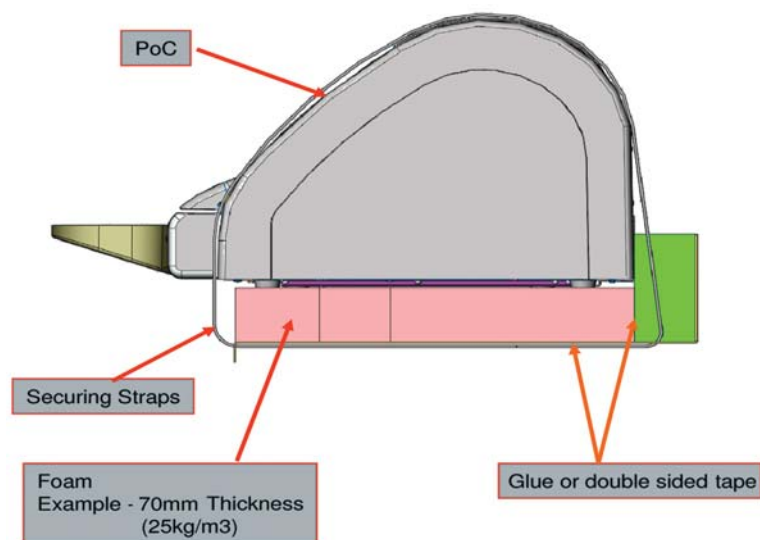
Carestream^{HEALTH} Point-of-Care CR System Foam Padding for Mobile Installation

Product Code 1274356

The PoC CR is a sophisticated electronic medical device. While it has an outstanding history of being able to work in mobile environments, care must be taken to ensure the device is installed properly to ensure optimum performance.

Mounting the CR directly to a support device with inadequate cushioning will cause excessive vibration and shock to the CR, shortening the life of the components and the overall operability of the system.

Systems installations that do not adhere to the recommendations could have their manufacturer's warranty revoked by Carestream.

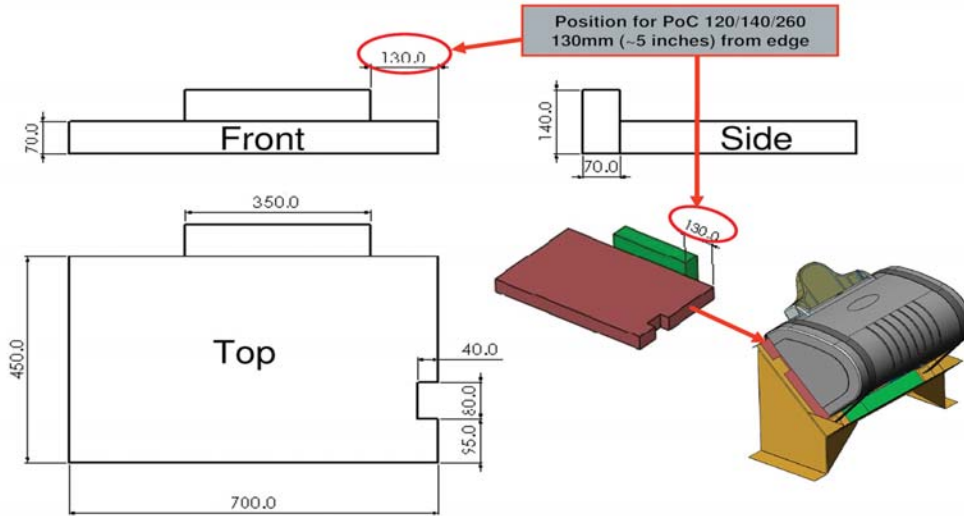


- The PoC CR should never be mounted directly to any support structure without proper padding.
- There should be at least 2.75 in. (7 cm.) of foam, preferably with a density of at least 1.56 lb/ft³ (25kg/m³) such as Medlink Foam Padding product code: 1274356.
- To prevent slipping, the foam and stand should be glued or adhered with double sided tape.
- The foam should be cut to ensure access to power, USB ports, and any venting on the CR (see next slide for detailed drawing).
- The CR can be mounted horizontally on a low, elevated or inclined stand (at 60 degrees), as long as it is mounted with the above recommendations.

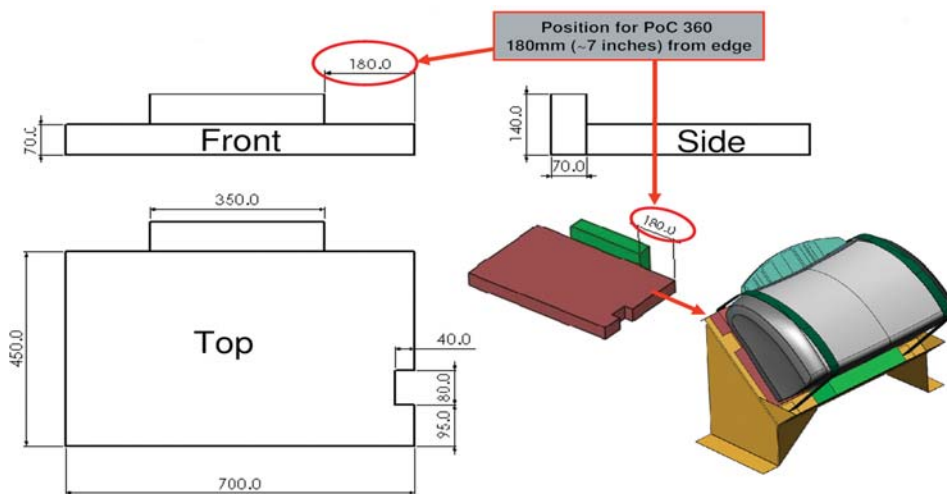
Please note: Specifications may change without notice. Revised 05 2010

CarestreamHEALTH Point-of-Care CR System Foam Padding for Mobile Installation

Mechanical Installation PoC CR 120 / 140 /260 Foam Drawing



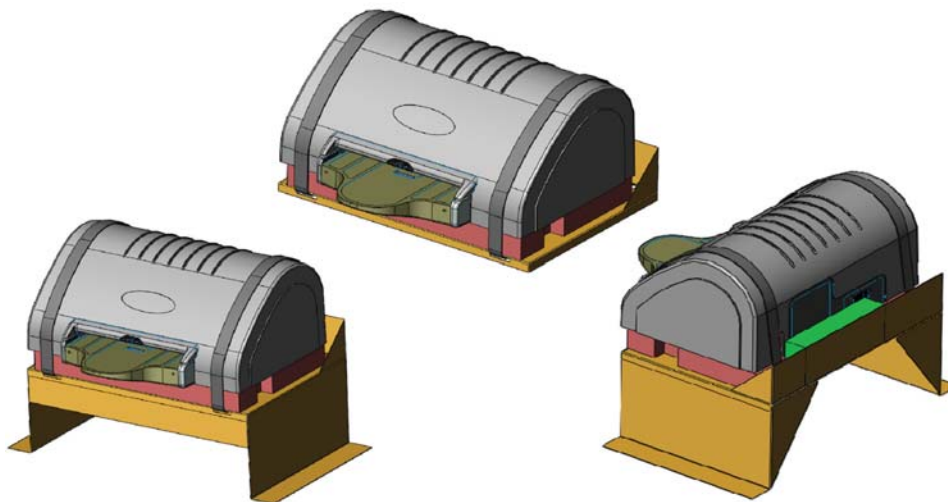
Mechanical Installation PoC CR 360 Foam Drawing



Please note: Specifications may change without notice. Revised 05 2010

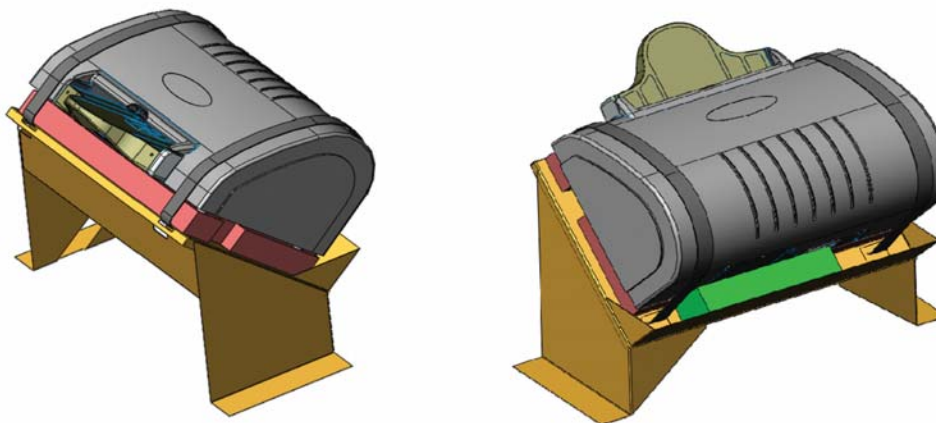
CarestreamHEALTH Point-of-Care CR System Foam Padding for Mobile Installation

Mechanical Installation - Horizontal Mounting



Mechanical Installation - Angle Mounting

Carestream Health recognizes that mounting of the PoC CR at an angle is often desired. In these instances, it is recommended that the angle should be set at 60 degrees, otherwise you risk having improper feeding or jammed cassettes/screens.



Please note: Specifications may change without notice. Revised 05 2010